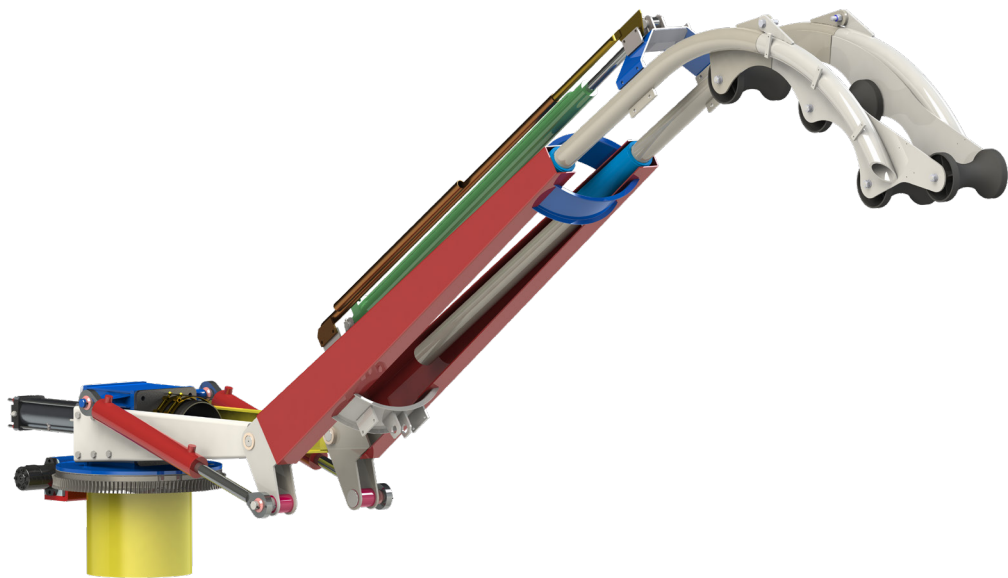
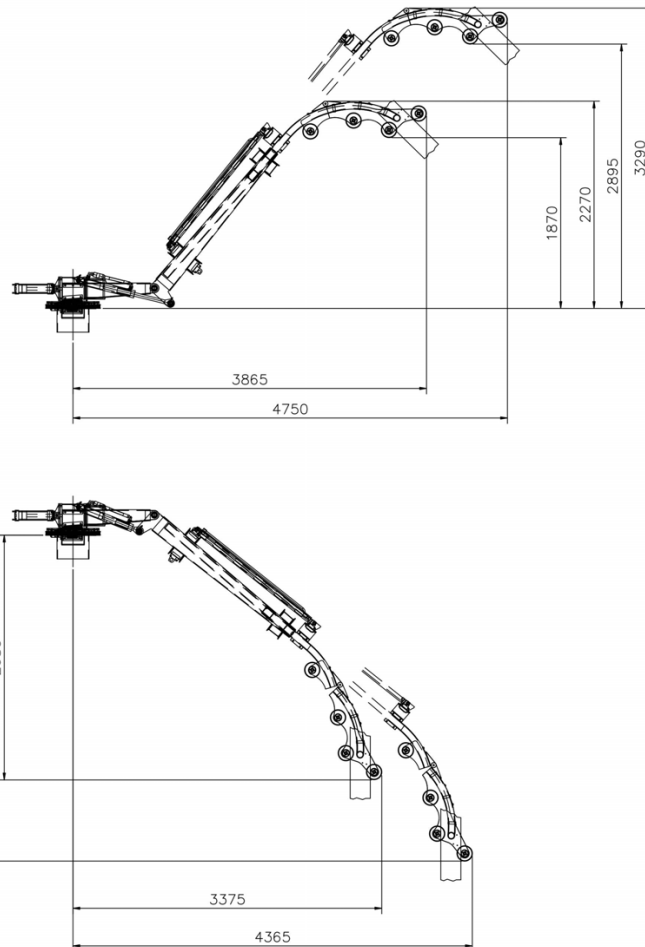




TECHNICAL SHEET



**WET AND DRY
HEAVY DUTY BOOM**



Technical data

| parameter | value |
|---------------------------|--------------|
| Working pressure | +1,5 bar rel |
| Hydraulic oil flowrate | 15±20 l/min |
| Hydraulic system pressure | 120 bar |
| Hose diameter | 6" - 8" |
| Weight | 660 kg |

Main features

- Suction hose diameter: DN 150 / 200
- Rotation: orbital motor and worm screw - toothed wheel on the centre-plate
- Rotation angle: 300°. Adjustable speed.
- Telescopic extension: 1350 mm.
- Lifting: controlled speed, strain limiter in the downward stroke.
- Shutoff valve: motion with pneumatic cylinder.

- Solenoid valve group for the 12V or 24V motion controls.
- High resistance cast iron turret.
- Centre-plate with double wheel and seal rings.
- Solenoid valves support plate and worm screw.
- Steel structure from hot-dip galvanized construction.
- Guide rollers and support for the suction hose.
- Carbon steel manhole (to be welded).
- Compact parking size space.

Versions

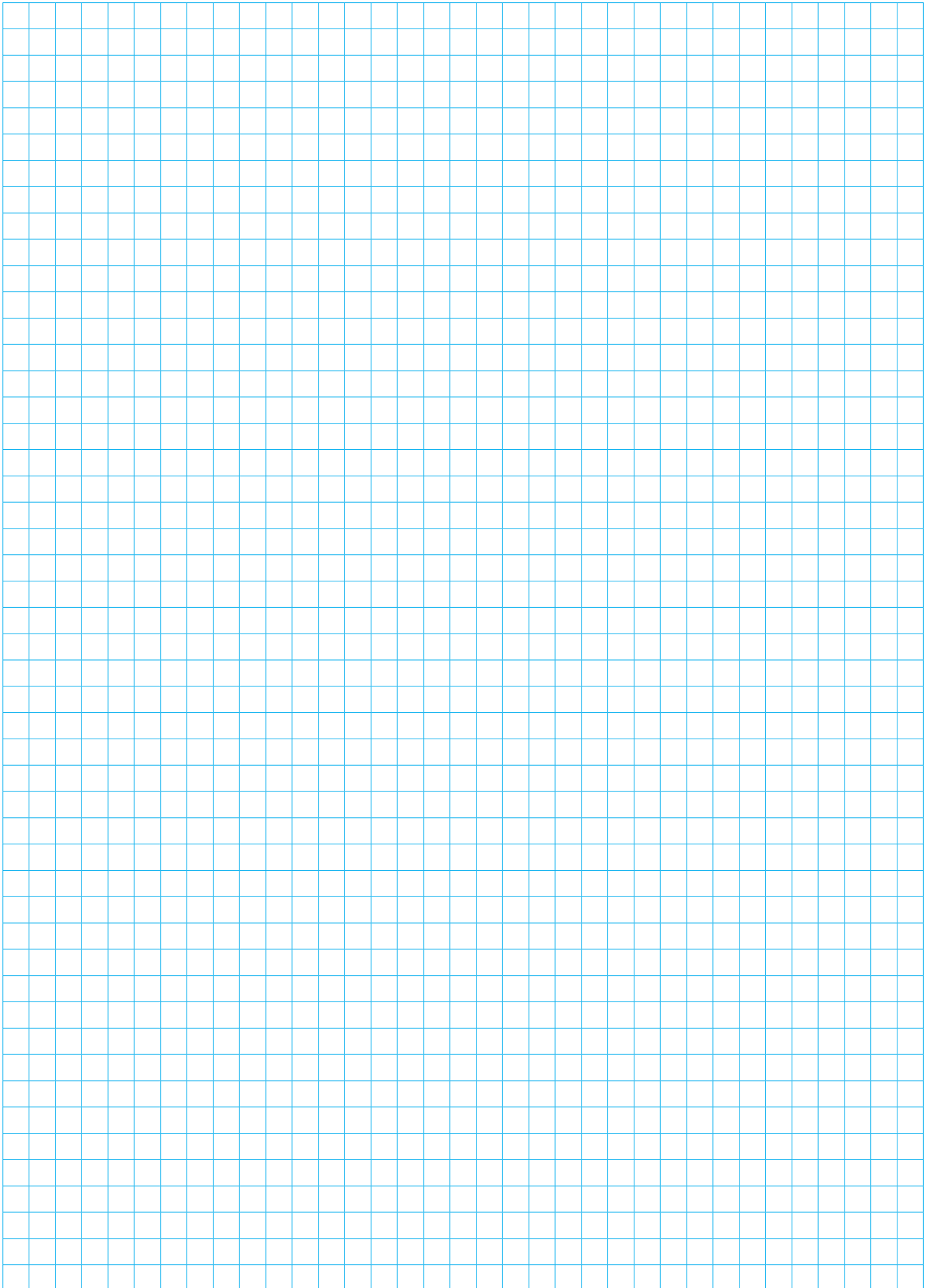
| code | description |
|---------------|-------------------------|
| 42721100039 | 6" 12 V heavy duty boom |
| 6.860002070-2 | 8" 12 V heavy duty boom |
| 42721100040 | 6" 24 V heavy duty boom |
| 6.1017015-6-2 | 8" 24 V heavy duty boom |

Accessories

| code | description |
|---------------|--|
| 46216000082 | 12V - 24V remote control |
| | Galvanized steel suction pipe. Different lengths and diameters 6" - 8" |
| | Galvanized steel suction pipe with flushing. Different lengths and diameters 6" - 8" |
| | Boom parking support (FE and INOX) |
| | Flexible suction hoses with various length fittings 6" - 8" |
| 6.928006010-1 | 12V - 24V led working light kit |

Examples of application







MORO KAISER **COMPONENTS**

MORO KAISER S.R.L.

Via Pontebbana, 16
33080 FIUME VENETO (PN) ITALY

Tel. 0434 951.211

Fax: 0434 957.786

infomoro@morokaiser.it