

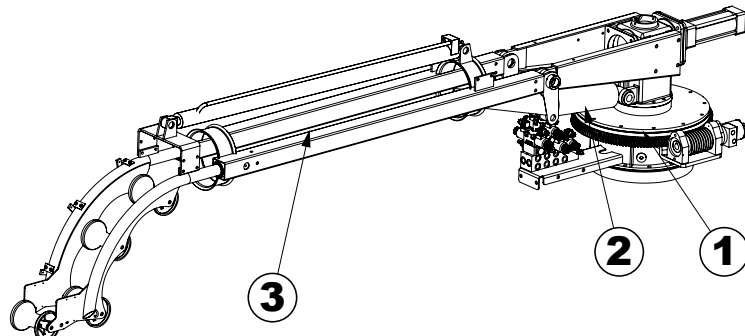


TECHNICAL SHEET



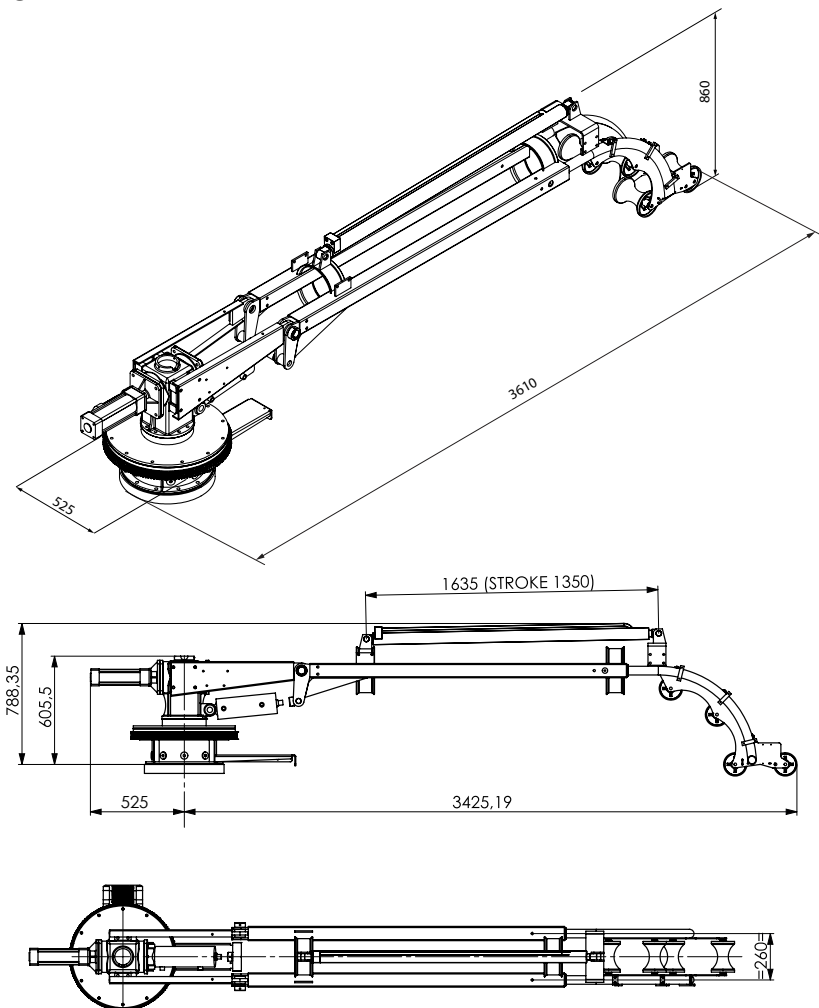
**360° HYDRAULIC CONTINUOUS
ROTATION BOOM**

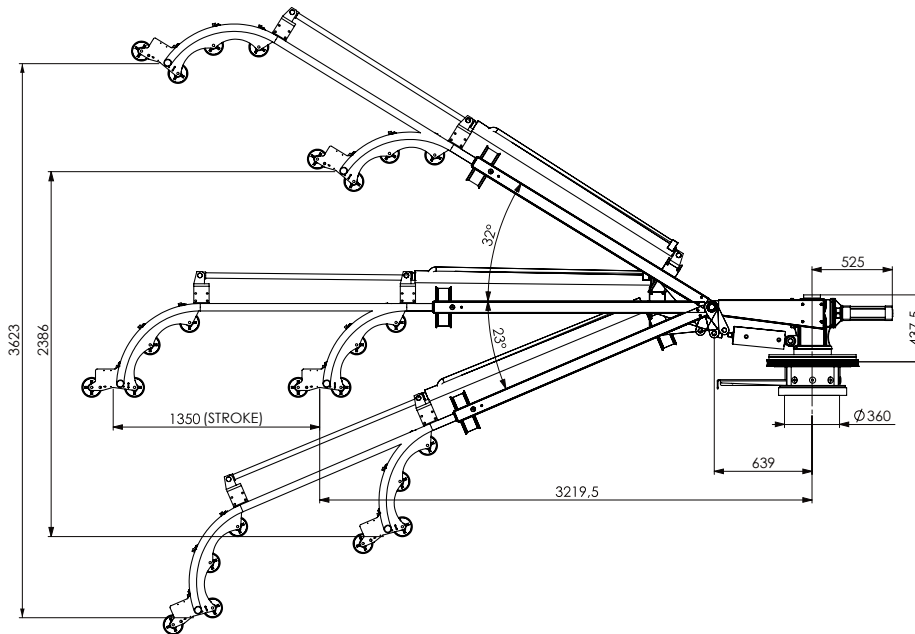
Description



The suction boom starts the vacuum line, it is the first component which comes into contact with the sludge material and it is the more complex part of the system and of the air flow covered during the entire path from the suction mouth to the tank. The movement of the suction boom is made possible thanks to the hydraulic system. An hydraulic motor applied to the centre-plate (1) controls the 360° continuous rotation while the lifting and the extension of the arm are made possible by hydraulic cylinders (2). The whole hydraulic movement plant of the suction boom relies on an accurate design and a detailed study of the ergonomics of each component to guarantee precision in the movements, speed of use and minimum operator fatigue. The strong structure of the arm (3) is made to support the weight of the loaded material.

Dimensions





Technical data

parameter	value
Working pressure	+1,5 bar rel.
Hydraulic oil flowrate	15÷20 l/min
Hydraulic system pressure	120 bar
Hose diameter	5" - 6" / 120 mm - 150 mm
Weight	410 / 450 kg

Main features

- Top mounted suction boom.
- Hydraulic rotation with hydraulic motor and worm. Centre-plate.
- Continuous rotation angle: 360°. Adjustable speed.
- Elevation: controlled speed, effort limiter on the down stroke.
- Gate valve: movement with pneumatic cylinder.
- Solenoid valve group for the movements control. 12 V or 24 V.
- Structure made of construction steel.
- Guide rollers and support for the suction line.
- Welded cockpit made of carbon steel/stainless steel.

Versions

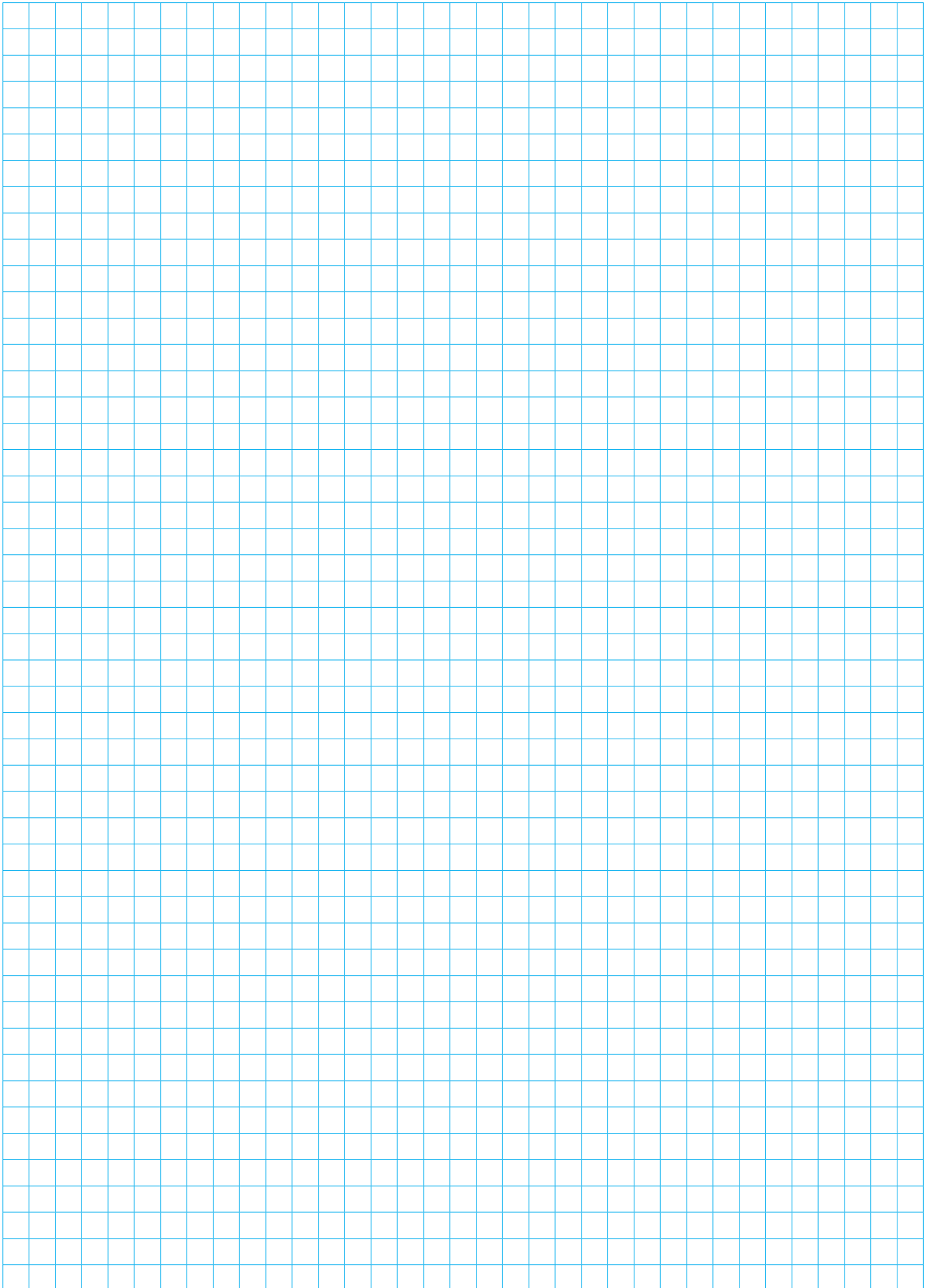
code	description
6.860001050-1	5" 24 V hydraulic rotation boom
6.860001580-1	6" 24 V hydraulic rotation boom

Accessories

code	description
	Galvanized steel suction pipe. Different lengths and diameters 5" - 6"
	Galvanized steel suction pipe with flushing. Different lengths and diameters 5" - 6"
	Boom parking support (FE and INOX)
	Flexible suction hoses with various length fittings 5" - 6"
6.928006010-1	12V - 24V led working light kit

Examples of application







MORO KAISER **COMPONENTS**

MORO KAISER S.R.L.

Via Pontebbana, 16
33080 FIUME VENETO (PN) ITALY

Tel. 0434 951.211

Fax: 0434 957.786

infomoro@morokaiser.it